

LED LIGHT RING WITH FOUNTAINHEAD

CARE AND OPERATING INSTRUCTIONS

18 Light MODEL 02180

24 Light MODEL 02185



The Pondmaster low voltage Bright White LED Light Ring attaches to the Fleur de Lis fountain for a spectacular Lit Water Display. The fountain head includes flow control valve and diverter to redirect some of the water from your pump to a different feature or filter. The LED ring is completely submersible for use in ponds or with self-contained recirculating water feature in a garden area.

WARNING! PONDS ARE DANGEROUS TO SMALL CHILDREN!
NEVER LEAVE CHILDREN UNSUPERVISED NEAR A POND.

Directions:

BEFORE YOU BEGIN: Read and Understand these Important Safety Instructions

Caution: To guard against injury, basic safety precautions should be observed, including the following:

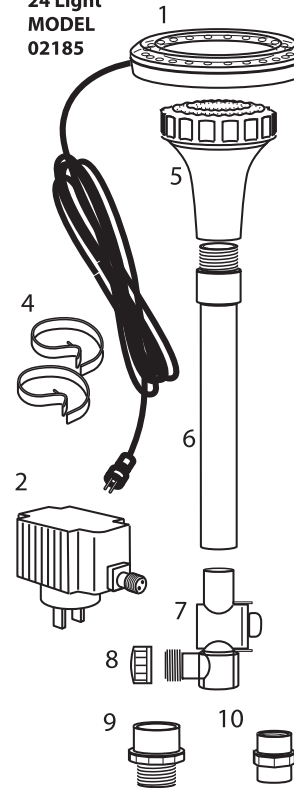
Always unplug to disconnect power before servicing light.

Danger: Risk of Electrical Shock; This light has not been investigated for use in, and is not to be used in swimming pools.

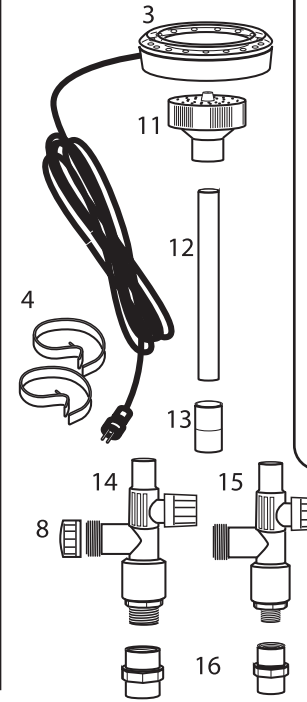
Warning: Electrical Precaution; To reduce the risk of electrical shock, connect only to a properly grounded, grounding type receptacle. The National Electric Code (NEC), Article 680-41(A) requires ground fault circuit interrupter (GFCI) be installed in the branch circuit supplying fountain equipment. Only a 3-wire grounding extension cord and grounded outlets should be used. If the extension cord plug can reach the water and be accidentally submerged it should be secured to prevent submersion.

Warning: risk of Electric Shock; Install only to a covered Class A GFCI receptacle that has an enclosure that is weatherproof with the attachment plug cap inserted or removed. Not for use with receptacles that are weatherproof only when the receptacle is covered (attachment plug cap not inserted and receptacle cover is closed).

24 Light MODEL 02185



18 Light MODEL 02180



#	Part description
1	24 LED Ring
2	Transformer
3	18 LED Ring
4	Cord Clips
5	Large Fountain Head
6	Large Extension Tube
7	Large Diverter / Valve
8	Diverter Cap
9	1 1/4" Male adapter
10	1" Female Adapter
11	Small Fountain Head
12	Small Extension tube
13	Small Fountain Connector
14	Sm. Fountain 3/4" Diverter
15	Sm. Fountain 1/2" Diverter
16	Couplings set

Maintenance

- Clean the plastic with soft cloth and water; never use any solvents bleach or harsh chemicals. If scale builds on the surface, a 1 part white vinegar to 10 parts water solution may help to soften it.

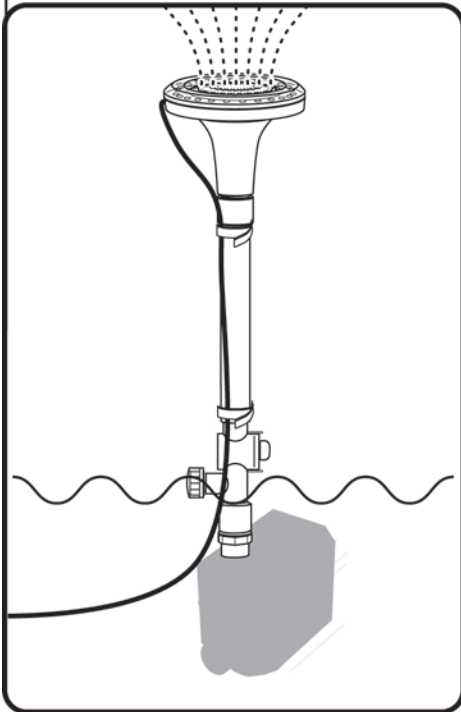
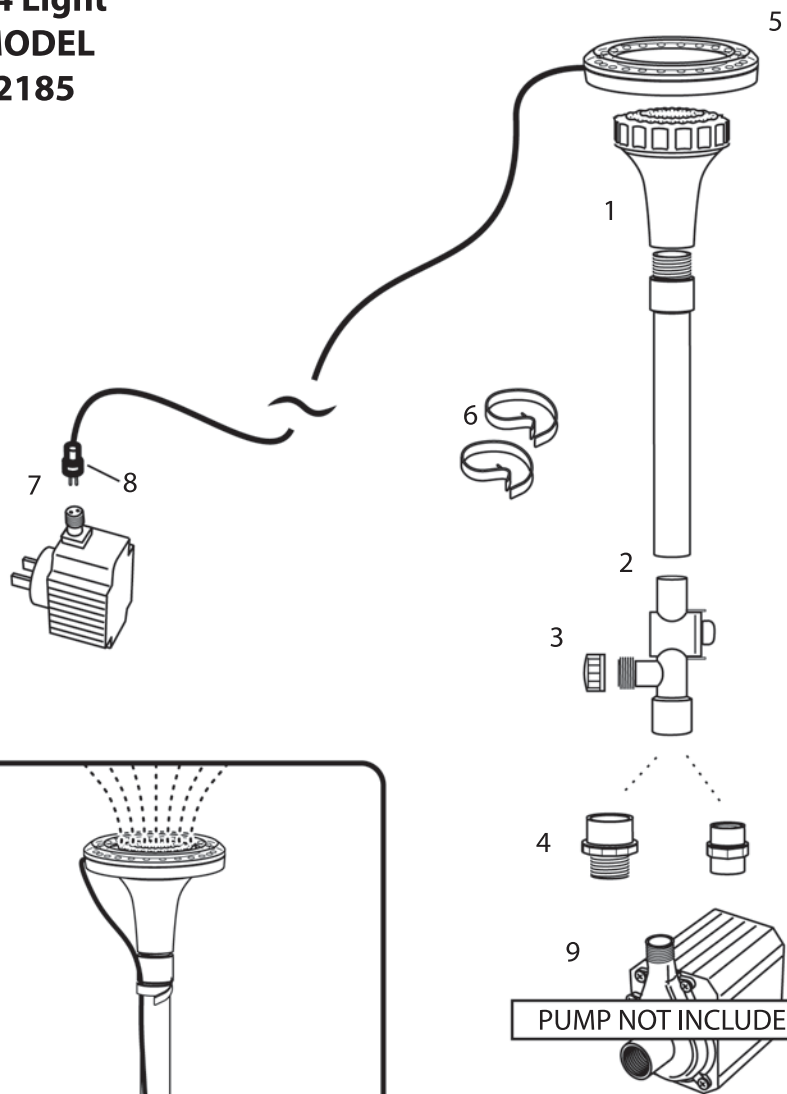
Note that if water seeps under lens it will not harm the embedded LED lamps. Individual LED lamps can not be removed or replaced.

Limited Warranty

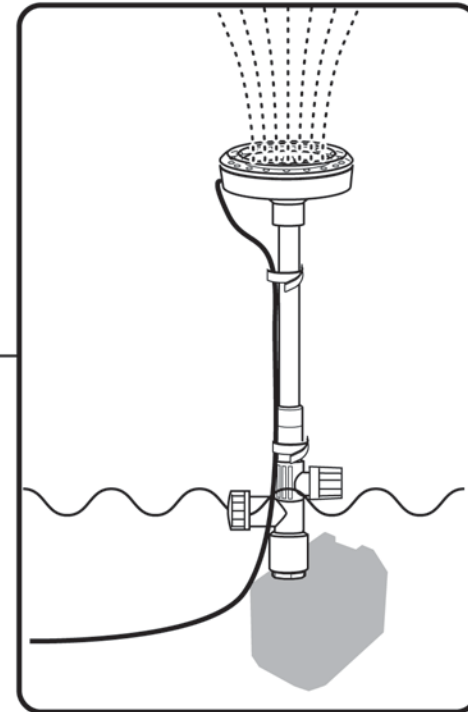
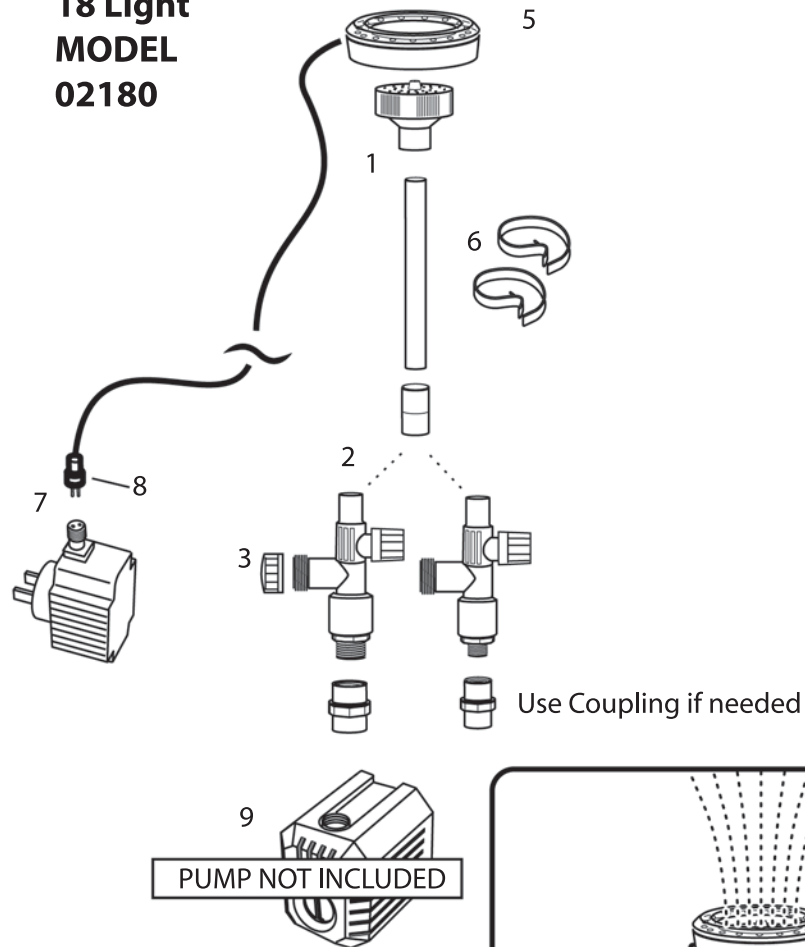
E.G. Danner Mfg. Inc. will repair or replace this pond light or fountain found to be defective within one year of purchase. For warranty repair the product must be returned to our factory. The dated sales receipt validates any warranty consideration and must be included along with \$ 5.00 (U.S. Funds) to cover shipping and handling.

Damages or injuries resulting from negligence or misuse of this product are excluded from this warranty. This warranty gives you specific legal rights and you may also have other rights which vary from state to state.

**24 Light
MODEL
02185**



**18 Light
MODEL
02180**



- 1) Connect Fountain Head to top of Extension Tube.
- 2) Attach tube to the Diverter that works best with your pump.
- 3) Cap off diverter unless you will be connecting to hose to other water feature or filter.
- 4) Attach adapter or coupling, if needed, and connect Diverter to your pump.
- 5) Attach LED Ring.
- 6) Secure LED Ring Wire with Cord Clips.
- 7) Plug LED cord into transformer and secure connection with rotating cuff.
- 8) Plug transformer into GFCI protected outlet following all electrical precautions.
- 9) Turn on pump and adjust flow.