

Troubleshooting:

Problem	Possible Cause	Solution
Pump stops working or runs slowly	Bad Power supply	Check all power connections, GFCI and circuit breakers. Test using a different power source.
	Impeller is locked with debris	Check if impeller will turn. Disconnect power, remove volute and to see if impeller can be turned. If not, perform impeller maintenance.
	Intake clogged	Disconnect power and remove the obstruction.
	Impeller is worn out	Replace impeller; see parts list.
	Flow Control is in wrong position	Rotate flow Control to point straight up for maximum flow.
Pump will not prime.	Pump design is NOT self priming	Position pump below water level, fill hose with water and re-start.

LIMITED WARRANTY

E.G. Danner Mfg. Inc. will repair or replace any unit found to be defective within one year of original purchase. Cutting or altering cord removing or defacing product labels voids any warranty consideration. For warranty repair return only the part that is defective to our factory. Please include a dated proof of purchase and \$5.00 for postage and handling. Damages or injuries resulting from negligence, shipping, handling, improper installation, maintenance or misuse of the product are not covered by warranty. This warranty gives you specific legal rights. You may have other rights which vary from state to state.

To validate this warranty keep your proof of purchase (Copy of sales receipt).

ZG098 5/07

DANNER MFG. INC. • Islandia, New York 11749-1489 • Visit our web site at www.dannermfg.com

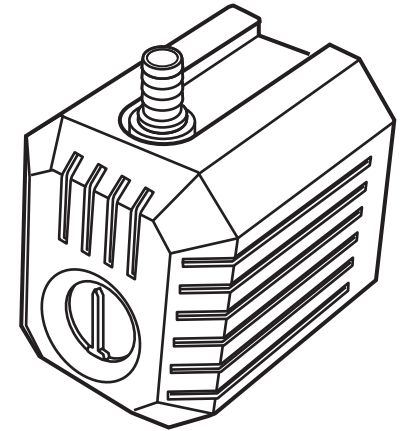
PONDMASTER®

SAVE THESE INSTRUCTIONS

Statuary and Fountain Pump

CARE AND OPERATING INSTRUCTIONS

MODEL	ITEM #
260C	02615
375C	02616
515C	02617
750C	02618



WARNING! PONDS ARE DANGEROUS TO SMALL CHILDREN!
NEVER LEAVE CHILDREN UNSUPERVISED NEAR A POND.

Thank you for purchasing this Pondmaster product. This continuous duty pump is designed for use with fountains, statuary or filtration systems. It incorporates a highly efficient magnetic drive motor and matched impeller with a ceramic shaft to provide energy savings while maintaining high output.

This pump can be used submersed or in-line. Note that when used in-line it should be placed below the water level since it is not self priming. Never run this pump dry.



ELECTRICAL PRECAUTIONS

Always use a properly grounded outlet. Do not immerse the plug in water. **DO NOT REACH INTO THE WATER TO REMOVE THE PLUG. TURN OFF CIRCUIT FIRST.** A "drip loop" in the cords should be used. A "drip loop" is a loop in the cord below the level of the receptacle or plug that prevents water from traveling along the cord. The national Electric Code requires that a ground fault interrupter circuit (GFCI) be installed in every branch circuit supplying the fountain or pond equipment. Your dealer can supply GFCI units. **NEVER REMOVE GROUND PIN FROM PLUG.**

WARNING: FOR YOUR PROTECTION, ALWAYS UNPLUG THE UNIT FROM ITS POWER SOURCE BEFORE INSTALLING OR SERVICING. DO NOT REACH, REMOVE OR DISASSEMBLE BEFORE YOU DISCONNECT POWER.

OPERATION PRECAUTIONS

Never run pump dry. Only use this pump with clean water. It is not intended to move water containing large non-dissolved solids. Never use pump for liquids other than water. Make certain that all electrical connections have a GFCI installed.

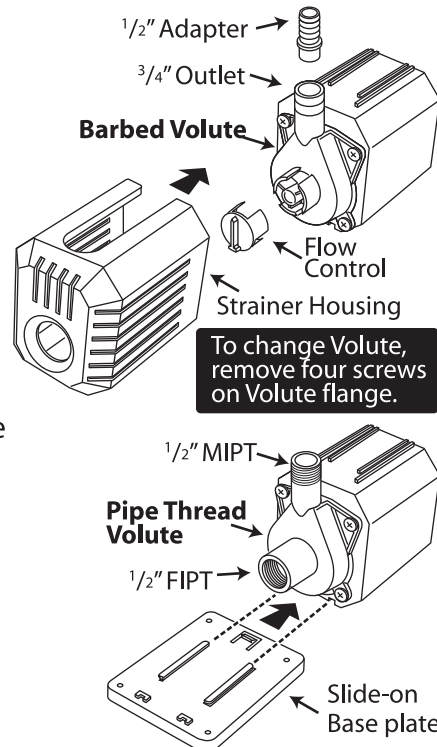
Operation Instructions

This pump can be used in a variety of configurations to suit your needs.

Two volutes are supplied: The **Barbed Volute** attaches to 1/2" or 3/4" flexible tubing, includes a large strainer housing with a flow control knob. Pump must be submerged when using barbed volute.

The **Pipe Thread Volute** can be used submerged or in-line, away from the water. For in-line use the pump must be primed and should be operated below the water level. A separate in-line check valve is strongly recommended to prevent loss of prime if power is interrupted. This configuration can be used with the slide-on base plate.

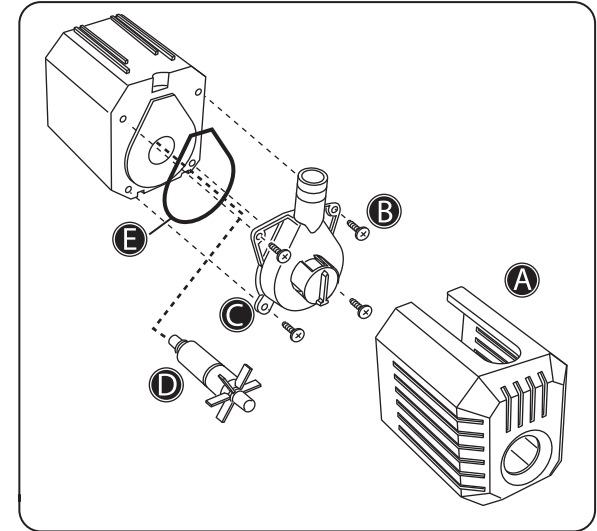
Use plumbers Teflon tape on threaded pipe fittings. This will aid in future disassembly.



Maintenance / Impeller replacement:

This pump does not require any lubrication or special maintenance. Periodically cleaning the impeller will maintain pump performance and extend pump life.

- 1) Completely disconnect pump from power supply.
- 2) Remove hoses and bring pump to a clear work area.
- 3) Pull strainer housing off **A**.
- 4) Remove 4 screws **B** to detach volute **C**.
- 5) Pull the impeller out from the chamber **D**.
- 6) Clean impeller with fresh water only, never any solvents.
- 7) Reverse steps to reassemble. If rubber seal **E** became detached, press it back into the track on the motor housing.



PARTS LIST for 260C, 375C, 515C and 750C

Statuary and Fountain Pumps

#	Description
1	Motor - 260C, 375C, 515C or 750C
2	Impeller - 260C, 375C, 515C or 750C
3	1/2" Barbed Adapter
4	Pipe Thread Volute
5	3/4" Barbed Volute
6	Flow Control Knob
7	Rubber Seal
8	Screw set
9	Strainer Housing
10	Slide-on Base Plate

