

## CARE AND OPERATING INSTRUCTIONS FOR BARREL KIT (ITEM # 02160), 140 FOUNTAIN FILTER KIT (ITEM #02272)

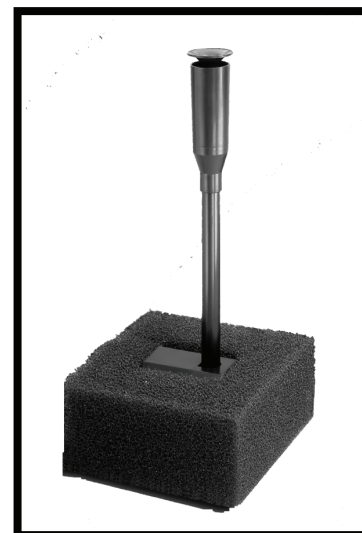
### FEATURES

THE MINI PUMPS HAVE A NUMBER OF FEATURES WHICH MAKE THEM VERSATILE.  $\frac{3}{8}$ " OR  $\frac{1}{2}$ " INSIDE DIAMETER TUBING MAY BE CONNECTED TO THE OUTLET, IN CONJUNCTION WITH THE FLOW CONTROL, IT IS POSSIBLE TO DIRECT AND ADJUST THE FLOW OF WATER. THIS CAN BE USEFUL IN CONTROLLING SPRAY AND SPLASHING IN FOUNTAINS AND STATUARY.

IN COMBINATION AQUARIUMS/TERRARIUMS THE USE OF TUBING CAN BE HELPFUL IN CREATING A WATERFALL AND DISTRIBUTING THE WATER AWAY FROM THE PUMP AREA.

### SERVICE AND MAINTENANCE

THE HOUSING SHOULD OCCASIONALLY BE REMOVED TO CLEAN AND INSPECT THE IMPELLER ASSEMBLY. THE IMPELLER IS THE ONLY SERVICEABLE ITEM AND CAN BE PULLED OUT OF THE BODY. DO NOT TAKE THE IMPELLER APART. IF IT IS WORN OR BROKEN THE ENTIRE IMPELLER ASSEMBLY SHOULD BE REPLACED. THIS WILL RESTORE THE PUMP TO ORIGINAL CAPACITY. PUMPS TAKEN OUT OF SERVICE FOR AN EXTENDED PERIOD WITH FLUID INSIDE RUN THE RISK OF FORMING A CRUST WHICH MAY PREVENT SUBSEQUENT STARTING. SALTWATER SHOULD BE FLUSHED OUT WITH FRESH WATER. ALWAYS CHECK CORD FOR SHARP BENDS WHICH CAN CAUSE PREMATURE CRACKING. DO NOT USE POWER CORD TO LIFT OR MOVE PUMP.



**MINI MAG WITH OPTIONAL  
WRAP AROUND FILTER AND  
AQUA BELL FOUNTAIN**

### ELECTRICAL PRECAUTIONS

ALWAYS USE A PROPERLY GROUNDED OUTLET. DO NOT IMMERSE PLUG IN WATER. DO NOT REACH INTO WATER TO REMOVE PLUG. TURN OFF CIRCUIT FIRST. A "DRIP LOOP" SHOULD BE PROVIDED. THE "DRIP LOOP" IS A LOOP IN THE CORD BELOW THE LEVEL OF THE RECEPTACLE OR PLUG THAT PREVENTS WATER FROM TRAVELING ALONG THE CORD. THE NATIONAL ELECTRIC CODE REQUIRES THAT A GROUND FAULT CIRCUIT INTERRUPTER (GFCI) BE INSTALLED IN THE BRANCH CIRCUIT SUPPLYING FOUNTAIN OR POND EQUIPMENT. YOUR DEALER CAN SUPPLY GFCI UNITS. NEVER REMOVE GROUND PIN FROM PLUG.

**WARNING: FOR YOUR PROTECTION ALWAYS UNPLUG THE UNIT FROM ITS POWER SOURCE BEFORE INSTALLING OR SERVICING. SHOULD THE UNIT APPEAR TO BE NOT WORKING DO NOT REACH, REMOVE OR DISASSEMBLE UNIT BEFORE YOU DISCONNECT POWER.**

THE PUMP IS INTENDED TO PUMP WATER ONLY. IT CANNOT BE USED TO PUMP OILS, SOLVENTS, OR GASOLINE.

**CAUTION:** PONDS CAN BE DANGEROUS TO SMALL CHILDREN.  
NEVER LEAVE CHILDREN UNSUPERVISED NEAR A POND.


### LIMITED WARRANTY

E.G. DANNER MFG. INC. WILL REPAIR OR REPLACE ANY UNIT FOUND TO BE DEFECTIVE WITHIN ONE YEAR OF ORIGINAL PURCHASE. CUTTING OR ALTERING CORD, REMOVING OR DEFACING PRODUCT LABELS VOIDS ANY WARRANTY CONSIDERATION. FOR WARRANTY REPAIR RETURN ONLY THE PART THAT IS DEFECTIVE TO OUR FACTORY. PLEASE INCLUDE A DATED PROOF OF PURCHASE AND \$5.00 FOR POSTAGE AND HANDLING. DAMAGES OR INJURIES RESULTING FROM NEGLIGENCE, SHIPPING, HANDLING, IMPROPER INSTALLATION, MAINTENANCE OR MISUSE OF THE PRODUCT ARE NOT COVERED BY WARRANTY. THIS WARRANTY GIVES YOU SPECIFIC LEGAL RIGHTS. YOU MAY HAVE OTHER RIGHTS WHICH VARY FROM STATE TO STATE. TO VALIDATE THIS WARRANTY KEEP YOUR PROOF OF PURCHASE (COPY OF SALES RECEIPT),


# SPECIFICATIONS AND PARTS LIST

## (ITEM # 02160), (ITEM # 02272)

YOUR PUMP MODEL # IS ON THE PUMP NEAR ELECTRICAL CORD



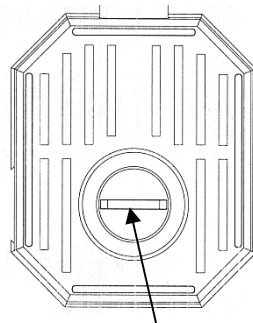
E160713  
LISTED 8C99



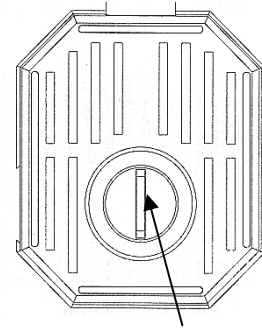
**MODEL 7 UTILITY PUMP**

**WARNING:** TO REDUCE THE RISK OF ELECTRIC SHOCK, CONNECT ONLY TO A PROPERLY GROUNDED, GROUNDING TYPE RECEPTACLE. THIS PUMP HAS NOT BEEN INVESTIGATED FOR USE IN SWIMMING POOL AREAS. CSA ENCLOSURE 3. DO NOT RUN DRY. NE PAS FAIRE FONCTIONNER A SEC.

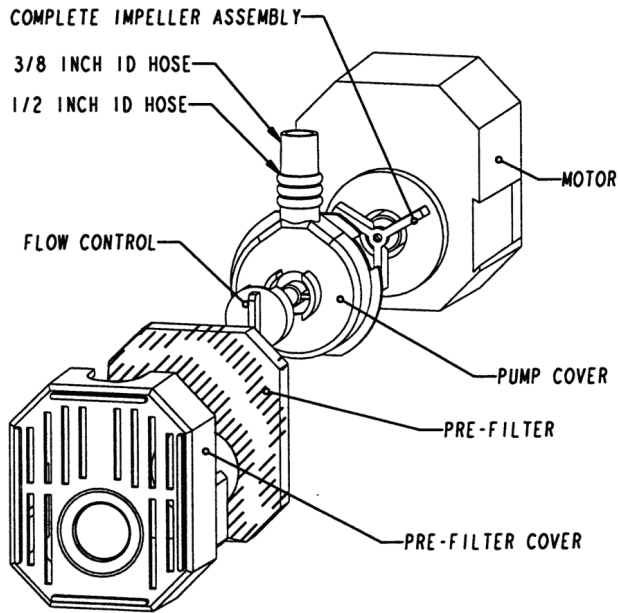
THERMALLY PROTECTED  
115 VOLTS A.C./60HZ./65 WATTS/1.5 AMPS  
DISCONNECT POWER BEFORE HANDLING THE PUMP 02/02



FLOW CONTROL (OFF)



FLOW CONTROL (ON)



### PUMP PARTS LIST

PUMP MODEL	IMPELLER ASSEMBLY	PREFILTER ( 3 PACK )	PUMP COVER, PREFILTER COVER	BELL SHAPE FOUNTAIN	LARGE FOAM BLOCK
<b>MINI MAG 1.5</b>	<b>12655</b>	<b>12605</b>	<b>12635</b>	<b>02089</b>	<b>12600</b>

**DANNER MFG. INC. 160 OVAL DRIVE, ISLANDIA, NEW YORK 11749**  
**VISIT OUR WEB SITE: WWW.PONDMASTER.COM**