

10" MINI PRO-FALLS

ITEM# 37005

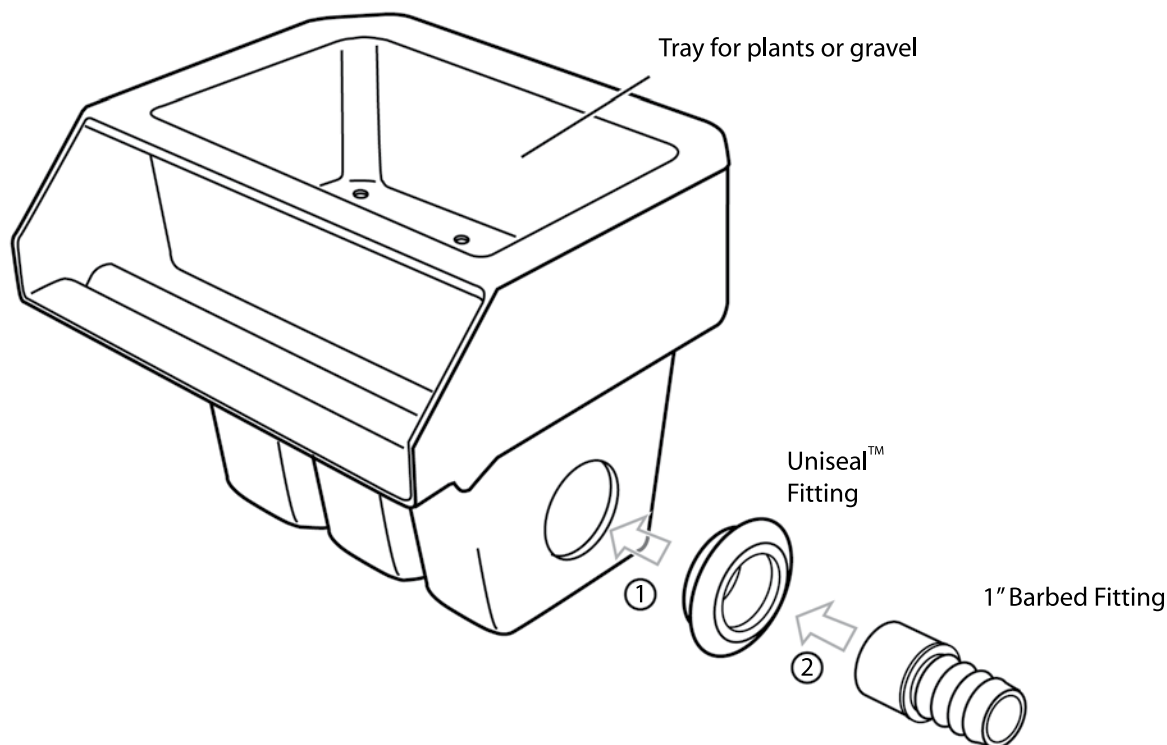
Thank you for purchasing the Pro-Line 10" Mini Falls. These simple-to-use Falls connect to 1" tubing and must be set up within the confines of a pond liner or preform pond. The top of the waterfall box serves as a tray that can hold small plants or gravel to conceal the waterfall box and beautify your waterfall set-up.

CONSTRUCTION PRECAUTIONS

Always contact your local utility companies for a markout before you dig and possibly expose and rupture an underground gas, plumbing or electrical conduit. Smart digging means calling 811 before each job. Whether you are a homeowner or a professional excavator, one call to 811 gets your underground utility lines marked -- at no charge. Also, check property survey for possible buried hazards.

Installation Instructions

Install the Uniseal™ fitting into the opening on the side of the waterfall box. Press the 1" barbed fitting firmly into the Uniseal™. Moisten barbed fitting to aid in assembly. Connect a 1" tube (not supplied) to barbed end and use a hose clamp (not supplied) if necessary.



WARNING! PONDS ARE DANGEROUS TO SMALL CHILDREN!
NEVER LEAVE CHILDREN UNSUPERVISED NEAR A POND.