

**BACKWASH
AIR KIT**

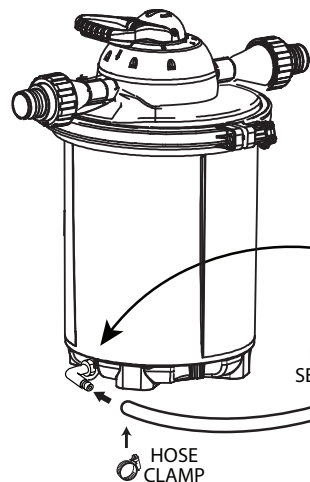
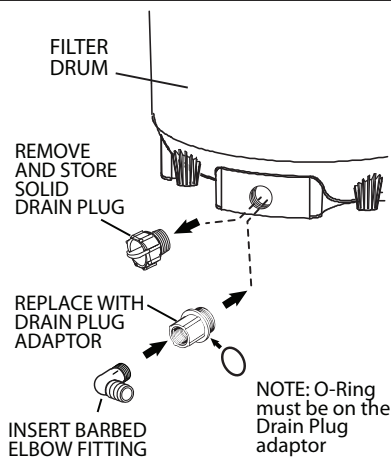
SET-UP AND OPERATING INSTRUCTIONS

ITEM #	For Clearguard filter
15660	Models 2700 & 5500
15670	Models 8000 & 16000

**SAVE THESE
INSTRUCTIONS**



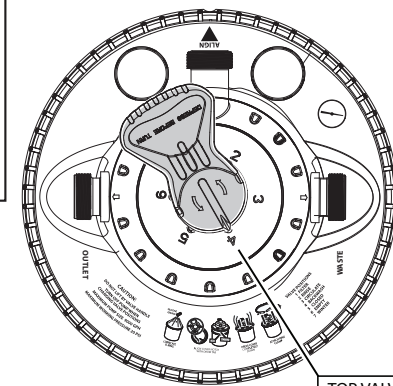
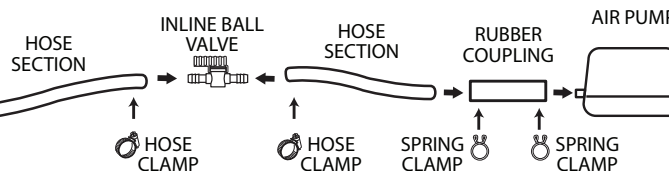
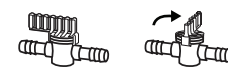
This Backwash Air kit uses forced air to create turbulence inside the Clearguard pressure filter to break up debris build-up that has clogged the filter media. The turbulence will release waste for more thorough backwashing. It should be used before running a backwash cycle on the pressure filter. The Kit includes a 1/2" NPT x Barbed Elbow Fitting, 10' Vinyl hose, Inline Ball Valve, Hose Clamps and an Air Pump.



NOTE THAT YOUR MODEL FILTER MAY VARY FROM THE ILLUSTRATIONS.

INLINE BALL VALVE

OPEN **CLOSED**



SET UP INSTRUCTIONS:

- 1) Turn off power to the water pump supplying the pressure filter and the UV clarifier if included with your filter.
- 2) Turn top valve to setting 7 WINTERIZE to allow air into the filter. Empty the water in the pressure filter by removing the drain plug from the Bottom drain in the filter drum. **IMPORTANT: Do not lose the drain plug. Store in a safe place for future use.**
- 3) Clear area around drain plug of pressure filter leaving room to turn Barbed Elbow fitting into the drain adaptor.
- 4) Check that O-Ring is in place on Drain Plug Adaptor and that bottom drain threads are clean.
- 5) Then install the Drain Plug Adaptor into bottom drain opening.
- 6) Wrap the threads of the Elbow Barb Fitting with plumber's Teflon tape (Not included).
- 7) Install Elbow into drain adaptor. Hand tighten until barb is in a horizontal orientation.
- 8) Layout Tubing, Inline Ball Valve and Air Pump on location at pressure filter. Determine where the Inline Ball Valve will be best located to be readily accessible.
- 9) Cut tubing and install Inline Ball Valve using two hose clamps. **TURN HANDLE ON INLINE BALL VALVE TO CLOSED POSITION.**
- 10) Install one end of the tubing onto the Barbed Elbow fitting and secure with the remaining Hose Clamp.
- 11) Insert open end of hose into Rubber Coupling as far as it will go (approximately 7/8"), and secure with Spring Clamp.
- 12) Attach open end of Rubber Coupling to air pump and use spring clamp to secure to pump outlet.

Check that Inline Ball valve is in closed position. Pressure filter can now be refilled and operated normally. Check connections before leaving filter unattended.

AIR KIT BACKWASH OPERATION:

NOTE: ALWAYS REMOVE FOAM FILTER PAD BEFORE BACKWASHING.

- 1) Close inline ball valve to air pump.
- 2) Turn off water pump supplying the pressure filter.
- 3) Turn the top valve to position #3 CIRCULATE.
- 4) Turn on air pump.
- 5) Open inline ball valve and let it run for approximately 2 minutes.
- 6) Close inline ball valve.
- 7) Turn off air pump.
- 8) Turn Pressure Filter valve to position #4 BACKWASH.
- 9) Activate water pump. Dirty water will exit from the waste hose.
- 10) Turn off water pump supplying the pressure filter.
- 11) Turn Pressure Filter valve to position #2 RINSE and run water pump for a 20 - 30 seconds to clear debris in top valve.
- 12) Turn off water pump supplying the pressure filter.
- 13) If needed, repeat steps 1 - 11. Multiple backwash cycles may be required.
- 14) To resume filtration, verify that inline ball valve is in closed position, turn Air Pump off then turn Pressure Filter top valve to position #1 FILTER and turn on water pump.