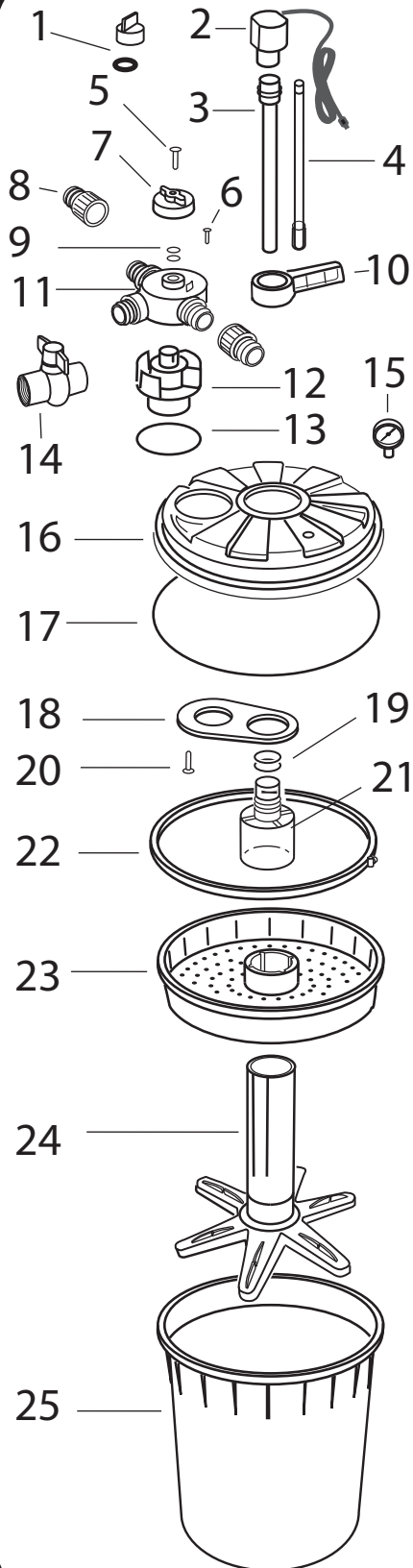


Replacement O-Ring Kit Item #15020

This kit includes the following parts from the diagram below:

1, 9, 13, 17 & 19



#	Description
1	UV Plug Washer
2	Ballast
3	Quartz Sleeve
4	UV Bulb
5	Multi Port Valve Center Screw
6	Multi Port Valve Flange Screws
7	Multi Port Valve Knob
8	Quick Connect
9	Multi Port Valve Knob O-rings
10	Agitator Handle
11	Multi Port Valve Housing
12	Multi Port Valve Gate
13	Multi Port Valve Bottom O-ring
14	Waste Port Valve
15	Pressure Gauge
16	Cover
17	Cover/Drum O-ring
18	Valve Cover
19	Tube Adaptor O-rings
20	Valve Cover Screw
21	Tube Adapter
22	Stainless Steel Clamp
23	Screen
24	Agitator Tube Assembly
25	Drum
26	Bio Matrix Filter Media (not Shown)